

CMP SH-3E
 CMP SH-3AE
 CMP SH-3CE
 CMP SH-3SE

**ENHANCED SPECIFICATION
 SURFACE MOUNT
 SILICON SCHOTTKY DIODES**

**ENHANCED
 SPECIFICATION**



SOT-23 CASE

**Central™
 Semiconductor Corp.**

DESCRIPTION:

The CENTRAL SEMICONDUCTOR CMP SH-3E Series types are Enhanced Versions of the CMP SH-3 Series of Silicon Schottky Diodes in an SOT-23 Surface Mount Package.

FEATURED ENHANCED SPECIFICATIONS:

- ◆ I_F from 100 mA max to 200 mA max.
- ◆ BV_R from 30V min to 40V min.
- ◆ V_F from 1.0V max to 0.8V max.

CMP SH-3E: SINGLE
 CMP SH-3AE: DUAL, COMMON ANODE
 CMP SH-3CE: DUAL, COMMON CATHODE
 CMP SH-3SE: DUAL, IN SERIES

MARKING CODE: D95E
MARKING CODE: DB1E
MARKING CODE: DB2E
MARKING CODE: DA5E

MAXIMUM RATINGS: ($T_A=25^\circ\text{C}$)

- ◆ **Peak Repetitive Reverse Voltage**
- ◆ **Continuous Forward Current**
- Peak Repetitive Forward Voltage
- Forward Surge Current, $t_p=10\text{ms}$
- Power Dissipation
- Operating and Storage
- Junction Temperature
- Thermal Resistance

SYMBOL		UNITS
V_{RRM}	40	V
I_F	200	mA
I_{FRM}	350	mA
I_{FSM}	750	mA
P_D	350	mW
T_J, T_{stg}	-65 to +150	$^\circ\text{C}$
θ_{JA}	357	$^\circ\text{C/W}$

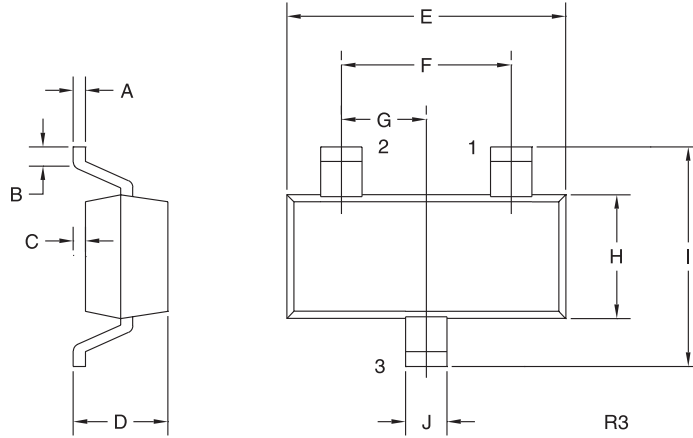
ELECTRICAL CHARACTERISTICS PER DIODE: ($T_A=25^\circ\text{C}$ unless otherwise noted)

SYMBOL	TEST CONDITIONS	MIN	TYP	MAX	UNITS
◆ BV_R	$I_R=100\mu\text{A}$	40	50		V
V_F	$I_F=2.0\text{mA}$		0.29	0.33	V
◆ V_F	$I_F=15\text{mA}$		0.37	0.42	V
◆ V_F	$I_F=100\text{mA}$		0.61	0.80	V
◆ ◆ V_F	$I_F=200\text{mA}$		0.65	1.0	V
I_R	$V_R=25\text{V}$		90	500	nA
I_R	$V_R=25\text{V}, T_A=100^\circ\text{C}$		25	100	μA
C_T	$V_R=1.0\text{V}, f=1\text{ MHz}$		7.0		pF
t_{rr}	$I_F=I_R=10\text{mA}, I_{rr}=1.0\text{mA}, R_L=100\Omega$			5.0	ns

- ◆ Enhanced specification.
- ◆ ◆ Additional Enhanced specification.

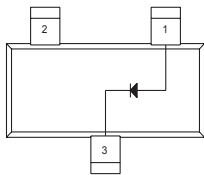
**ENHANCED SPECIFICATION
SURFACE MOUNT
SILICON SCHOTTKY DIODES**

SOT-23 CASE - MECHANICAL OUTLINE



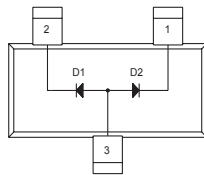
SYMBOL	DIMENSIONS			
	INCHES		MILLIMETERS	
	MIN	MAX	MIN	MAX
A	0.003	0.007	0.08	0.18
B	0.006	-	0.15	-
C	-	0.005	-	0.13
D	0.035	0.043	0.89	1.09
E	0.110	0.120	2.80	3.05
F	0.075		1.90	
G	0.037		0.95	
H	0.047	0.055	1.19	1.40
I	0.083	0.098	2.10	2.49
J	0.014	0.020	0.35	0.50

SOT-23 (REV: R3)



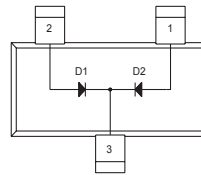
LEAD CODE:
CMP SH-3E
1) Anode
2) No Connection
3) Cathode

**MARKING
CODE: D95E**



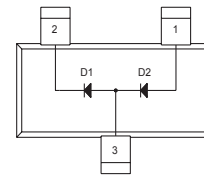
LEAD CODE:
CMP SH-3AE
1) Cathode D2
2) Cathode D1
3) Anode D1, Anode D2

**MARKING
CODE: DB1E**



LEAD CODE:
CMP SH-3CE
1) Anode D2
2) Anode D1
3) Cathode D1, Cathode D2

**MARKING
CODE: DB2E**



LEAD CODE:
CMP SH-3SE
1) Anode D2
2) Cathode D1
3) Anode D1, Cathode D2

**MARKING
CODE: DA5E**

R2 (6-August 2003)